



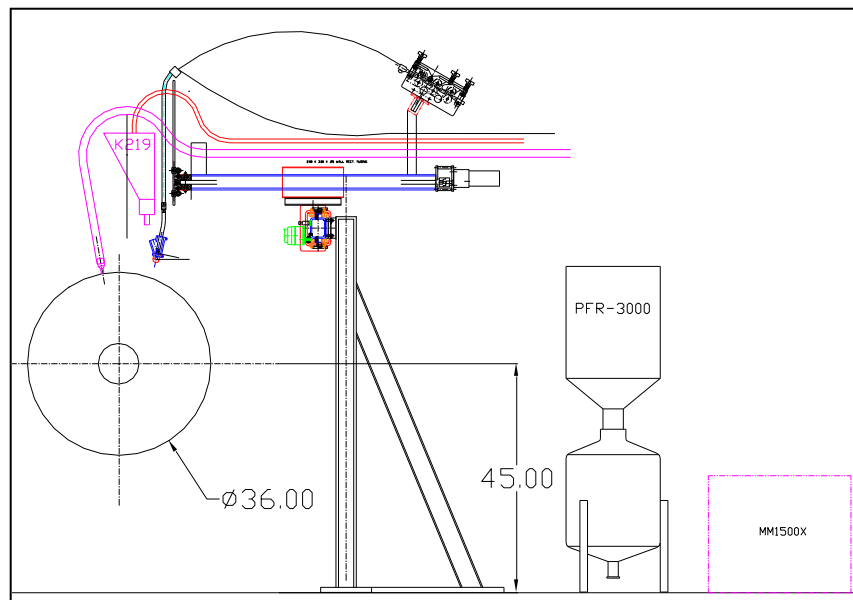
SUB-ARC

The Sub Arc hopper assembly includes the hopper with various mounting arrangements, flexible tubing, manual gate valve and angular torch extension. Sold separately or with a Mavrix Automatic Welding System.

The nozzles are available in two designs one for flat surfaces and one for radius applications.



If you desire sub-arc with recovery and automatic functions, we can integrate Weld Engineering CO. Inc. products into our welding systems.



FOR MORE INFORMATION, PLEASE CALL, WRITE or EMAIL

MAVRIX AUTOMATIC WELDING

info@mavrixweld.com www.mavrixweld.com

3020 S. Calhoun Road * New Berlin, WI. 53151 * (262) 439-8477 * FAX (262) 4399-8877